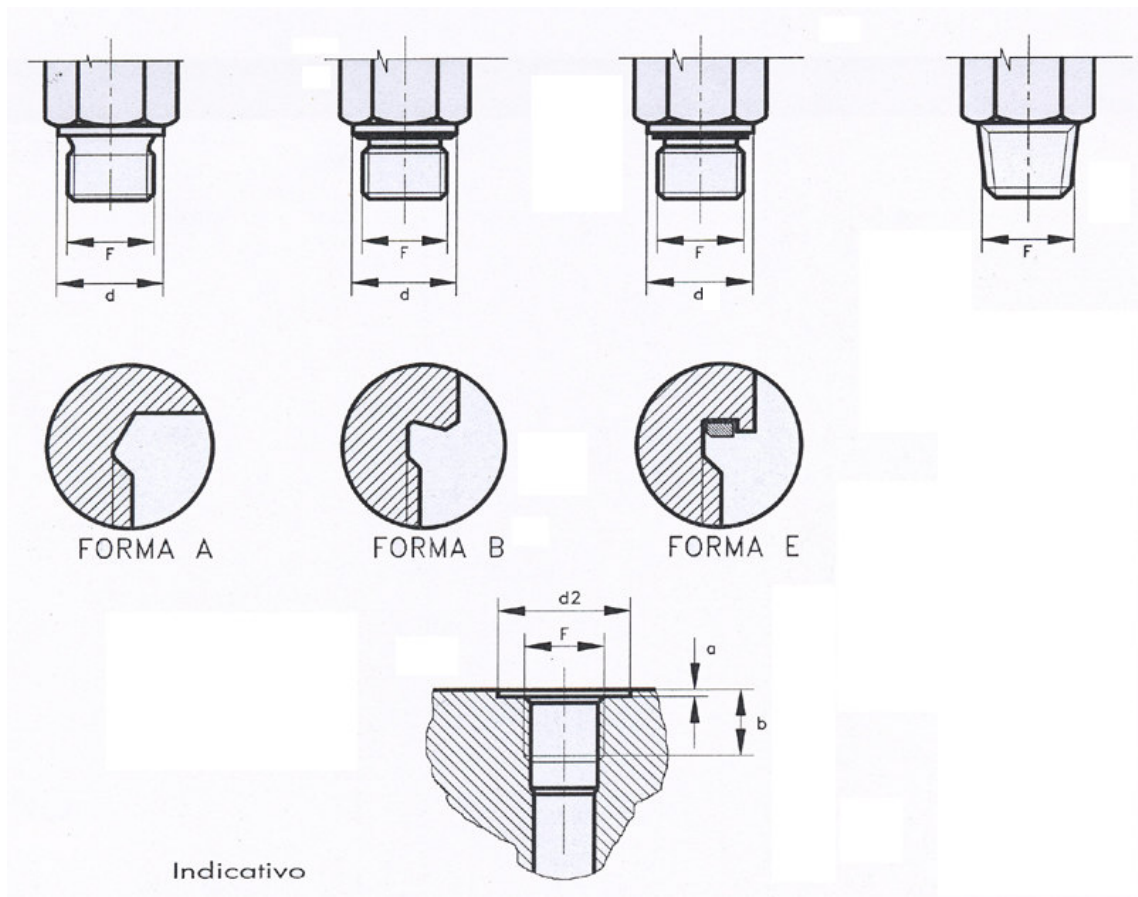


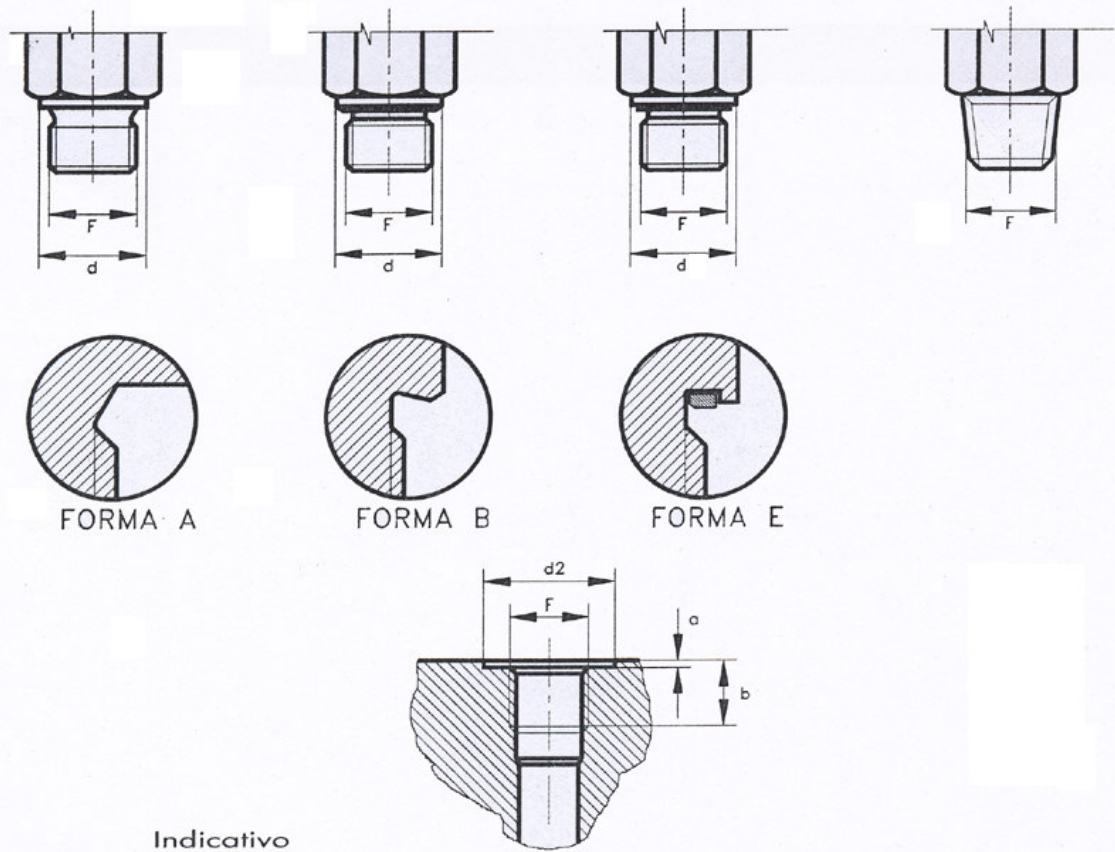
Tabella Riepilogativa



Serie	Tubo	Cilindrico F	Conico F	d	d 2	a	b
L	6	M10X1	M10X1 K	14	20	1	8
L	8	M12X1.5	M12X1.5 K	17	25	1.5	12
L	10	M14X1.5	M14X1.5 K	19	25	1.5	12
L	12	M16X1.5	M16X1.5 K	21	28	2	12
L	15	M18X1.5	M18X1.5 K	23	30	2.5	14
L	18	M22X1.5	M22X1.5 K	27	34	2.5	14
L	22	M26X1.5	M26X1.5 K	31	42	2.5	16
L	28	M33X2	M33X1.5 K	39	47	2.5	18
L	35	M42X2	M42X1.5 K	49	58	2.5	20
L	42	M48X2	M48X1.8 K	55	65	2.5	22

Serie	Tubo	Cilindrico F	Conico F	d	d 2	a	b
S	6	M12X1.5	M12X1.5 K	17	25	1.5	12
S	8	M14X1.5	M14X1.5 K	19	25	1.5	12
S	10	M16X1.5	M16X1.5 K	21	28	2	12
S	12	M18X1.5	M18X1.5 K	23	30	2	12
S	14	M20X1.5	M20X1.5 K	25	34	2.5	14
S	16	M22X1.5	M22X1.5 K	27	34	2.5	14
S	20	M27X2	M27X2 K	32	42	2.5	16
S	25	M33X2	M33X2 K	39	47	2.5	18
S	30	M42X2	M42X2 K	49	58	2.5	20
S	38	M48X2	M48X2 K	55	65	2.5	22

Tabella Riepilogative



Serie	Tubo	Cilindrico F	Conico F	d	d 2	a	b
L	6	1/8"	1/8" K	14	19	1	8
L	8	1/4"	1/4" K	18	25	1.5	12
L	10	1/4"	1/4" K	18	25	1.5	12
L	12	3/8"	3/8" K	22	28	2	12
L	15	1/2"	1/2" K	26	34	2.5	14
L	18	1/2"	1/2" K	26	34	2.5	14
L	22	3/4"	3/4" K	32	42	2.5	16
L	28	1"	1" K	39	47	2.5	18
L	35	1" 1/4	1" 1/4 K	49	58	2.5	20
L	42	1" 1/2	1" 1/2 K	55	65	2.5	22

Serie	Tubo	Cilindrico F	Conico F	d	d 2	a	b
S	6	1/4"	1/4" K	18	25	1.5	12
S	8	1/4"	1/4" K	18	25	1.5	12
S	10	3/8"	3/8" K	22	28	2	12
S	12	3/8"	3/8" K	22	28	2	12
S	14	1/2"	1/2" K	26	34	2.5	14
S	16	1/2"	1/2" K	26	34	2.5	14
S	20	3/4"	3/4" K	32	42	2.5	16
S	25	1"	1" K	39	47	2.5	18
S	30	1" 1/4	1" 1/4 K	49	58	2.5	20
S	38	1" 1/2	1" 1/2 K	55	65	2.5	22