

**Raccordi diritti femmina**

Serie leggera  
Filettatura: metrica cilindrica

**Female stud couplings**

Light range  
Thread: metric parallel

**Gerade Aufschraubverschraubungen**

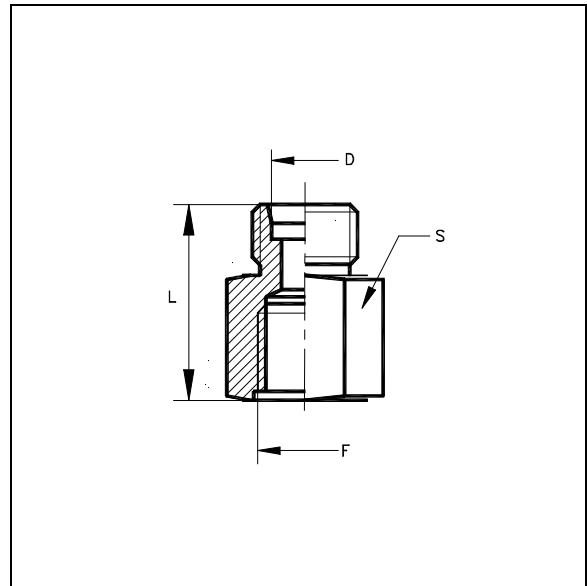
Leichte Baureihe  
Gewinde: metrisch-fein zylindrisch

**Unions femelles**

Série légère  
Filetage: métrique cylindrique

**Uniones hembra**

Serie ligera  
Rosca: métrica cilíndrica



Ø Tubo D	L	S	F		<b>TAA</b>
6	28	14	M10x1	T-GAI 6-M 10x1	15900011
	32	17	M12x1.5	T-GAI 6-M 12x1.5	15900111
	32	19	M14x1.5	T-GAI 6-M 14x1.5	15900211
	32	22	M16x1.5	T-GAI 6-M 16x1.5	15900311
	34	24	M18x1.5	T-GAI 6-M 18x1.5	15900411
	34	27	M20x1.5	T-GAI 6-M 20x1.5	15900511
	34	30	M22x1.5	T-GAI 6-M 22x1.5	15900611
8	32	17	M12x1.5	T-GAI 8-M 12x1.5	15905011
	32	19	M14x1.5	T-GAI 8-M 14x1.5	15905111
	32	22	M16x1.5	T-GAI 8-M 16x1.5	15905211
	34	24	M18x1.5	T-GAI 8-M 18x1.5	15905311
	34	27	M20x1.5	T-GAI 8-M 20x1.5	15905411
	34	30	M22x1.5	T-GAI 8-M 22x1.5	15905511
10	34	17	M12x1.5	T-GAI 10-M 12x1.5	15910011
	34	19	M14x1.5	T-GAI 10-M 14x1.5	15910111
	34	22	M16x1.5	T-GAI 10-M 16x1.5	15910211
	36	24	M18x1.5	T-GAI 10-M 18x1.5	15910311
	36	27	M20x1.5	T-GAI 10-M 20x1.5	15910411
	36	30	M22x1.5	T-GAI 10-M 22x1.5	15910511
12	34	19	M14x1.5	T-GAI 12-M 14x1.5	15915011
	34	22	M16x1.5	T-GAI 12-M 16x1.5	15915111
	36	24	M18x1.5	T-GAI 12-M 18x1.5	15915211
	36	27	M20x1.5	T-GAI 12-M 20x1.5	15915311
	36	30	M22x1.5	T-GAI 12-M 22x1.5	15915411
	36	32	M26x1.5	T-GAI 12-M 26x1.5	15915511

**Raccordi diritti femmina**

Serie leggera  
Filettatura: metrica cilindrica

**Female stud couplings**

Light range  
Thread: metric parallel

**Gerade Aufschraubverschraubungen**

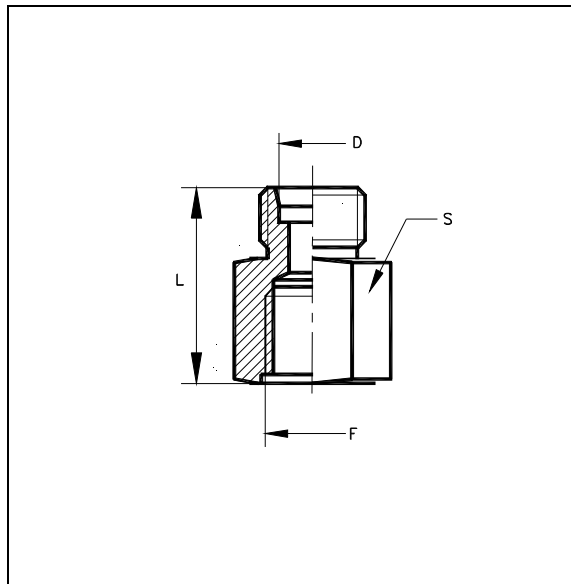
Leichte Baureihe  
Gewinde: metrisch-fein zylindrisch

**Unions femelles**

Série légère  
Filetage: métrique cylindrique

**Uniones hembra**

Serie ligera  
Rosca: métrica cilíndrica



Ø Tubo D	L	S	F		<b>TAA</b>
15	36	22	M14x1.5	T-GAI 15-M 14x1.5	15920011
	36	22	M16x1.5	T-GAI 15-M 16x1.5	15920111
	38	24	M18x1.5	T-GAI 15-M 18x1.5	15920211
	38	27	M20x1.5	T-GAI 15-M 20x1.5	15920311
	38	30	M22x1.5	T-GAI 15-M 22x1.5	15920411
	40	32	M26x1.5	T-GAI 15-M 26x1.5	15920511
	42	36	M30x1.5	T-GAI 15-M 30x1.5	15920611
16	36	22	M14x1.5	T-GAI 16-M 14x1.5	15966011
	36	22	M16x1.5	T-GAI 16-M 16x1.5	15966111
	38	24	M18x1.5	T-GAI 16-M 18x1.5	15966211
	38	27	M20x1.5	T-GAI 16-M 20x1.5	15966311
	38	30	M22x1.5	T-GAI 16-M 22x1.5	15966411
	40	32	M26x1.5	T-GAI 16-M 26x1.5	15966511
	42	36	M30x1.5	T-GAI 16-M 30x1.5	15966611
18	36	27	M16x1.5	T-GAI 18-M 16x1.5	15925011
	38	27	M18x1.5	T-GAI 18-M 18x1.5	15925111
	38	27	M20x1.5	T-GAI 18-M 20x1.5	15925211
	38	30	M22x1.5	T-GAI 18-M 22x1.5	15925311
	40	32	M26x1.5	T-GAI 18-M 26x1.5	15925411
	42	36	M30x1.5	T-GAI 18-M 30x1.5	15925511
	44	41	M33x2	T-GAI 18-M 33x2	15925611
22	40	32	M18x1.5	T-GAI 22-M 18x1.5	15930011
	40	32	M20x1.5	T-GAI 22-M 20x1.5	15930111
	40	32	M22x1.5	T-GAI 22-M 22x1.5	15930211
	42	32	M26x1.5	T-GAI 22-M 26x1.5	15930311
	44	36	M30x1.5	T-GAI 22-M 30x1.5	15930411
	44	36	M30x1.5	T-GAI 22-M 30x1.5	15930411
	46	41	M33x2	T-GAI 22-M 33x2	15930511

**Raccordi diritti femmina**

Serie leggera  
Filettatura: metrica cilindrica

**Female stud couplings**

Light range  
Thread: metric parallel

**Gerade Aufschraubverschraubungen**

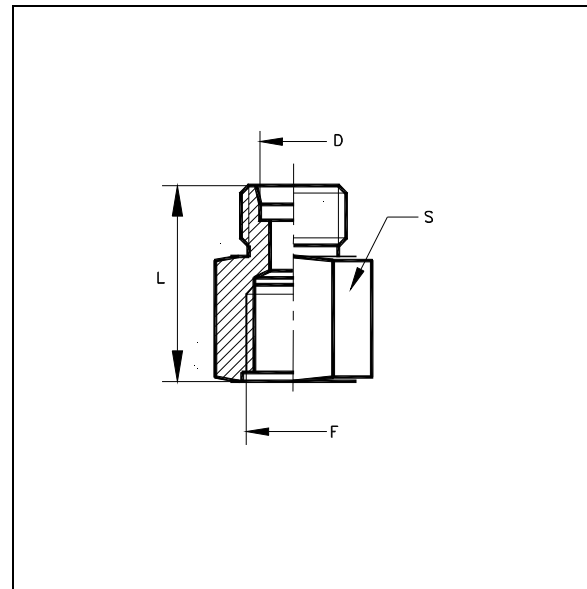
Leichte Baureihe  
Gewinde: metrisch-fein zylindrisch

**Unions femelles**

Série légère  
Filetage: métrique cylindrique

**Uniones hembra**

Serie ligera  
Rosca: métrica cilíndrica



Ø Tubo D	L	S	F		<b>TAA</b>
28	40	36	M20x1.5	T-GAI 28-M 20x1.5	15935011
	40	36	M22x1.5	T-GAI 28-M 22x1.5	15935111
	42	36	M26x1.5	T-GAI 28-M 26x1.5	15935211
	44	36	M30x1.5	T-GAI 28-M 30x1.5	15935311
	46	41	M33x2	T-GAI 28-M 33x2	15935411
	48	50	M42x2	T-GAI 28-M 42x2	15935511
35	44	46	M22x1.5	T-GAI 35-M 22x1.5	15940011
	46	46	M26x1.5	T-GAI 35-M 26x1.5	15940111
	48	46	M30x1.5	T-GAI 35-M 30x1.5	15940211
	50	46	M33x2	T-GAI 35-M 33x2	15940311
	53	50	M42x2	T-GAI 35-M 42x2	15940411
42	50	55	M33x2	T-GAI 42-M 33x2	15945011
	53	55	M42x2	T-GAI 42-M 42x2	15945111
	54	55	M48x2	T-GAI 42-M 48x2	15945211

**Raccordi diritti femmina**

Serie leggera  
Filettatura: gas cilindrica

**Female stud couplings**

Light range  
Thread: B.S.P. parallel

**Gerade Aufschraubverschraubungen**

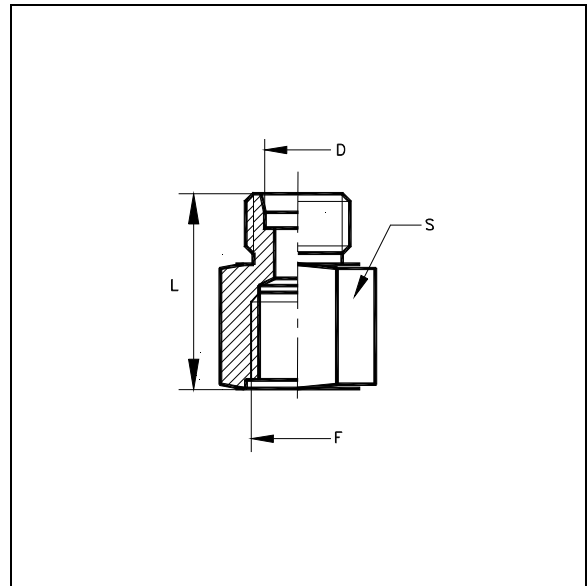
Leichte Baureihe  
Gewinde: Whitworth zylindrisch

**Unions femelles**

Série légère  
Filetage: whitworth cylindrique

**Uniones hembra**

Serie ligera  
Rosca: gas cilíndrica



Ø Tubo D	L	S	F		<b>TAA</b>
6	28	14	R 1/8"	T-GAI 6-LR 1/8"	15800011
	32	19	R 1/4"	T-GAI 6-LR 1/4"	15800111
	32	24	R 3/8"	T-GAI 6-LR 3/8"	15800211
8	32	19	R 1/4"	T-GAI 8-LR 1/4"	15805011
	32	24	R 3/8"	T-GAI 8-LR 3/8"	15805111
	34	27	R 1/2"	T-GAI 8-LR 1/2"	15805211
10	34	19	R 1/4"	T-GAI 10-LR 1/4"	15810011
	36	24	R 3/8"	T-GAI 10-LR 3/8"	15810111
	38	27	R 1/2"	T-GAI 10-LR 1/2"	15810211
12	34	19	R 1/4"	T-GAI 12-LR 1/4"	15815011
	36	24	R 3/8"	T-GAI 12-LR 3/8"	15815111
	38	27	R 1/2"	T-GAI 12-LR 1/2"	15815211
15	36	24	R 3/8"	T-GAI 15-LR 3/8"	15820011
	38	27	R 1/2"	T-GAI 15-LR 1/2"	15820111
	40	32	R 3/4"	T-GAI 15-LR 3/4"	15820211
16	36	24	R 3/8"	T-GAI 16-LR 3/8"	15866011
	38	27	R 1/2"	T-GAI 16-LR 1/2"	15866111
	40	36	R 3/4"	T-GAI 16-LR 3/4"	15866211

**Raccordi diritti femmina**

Serie leggera  
Filettatura: gas cilindrica

**Female stud couplings**

Light range  
Thread: B.S.P. parallel

**Gerade Aufschraubverschraubungen**

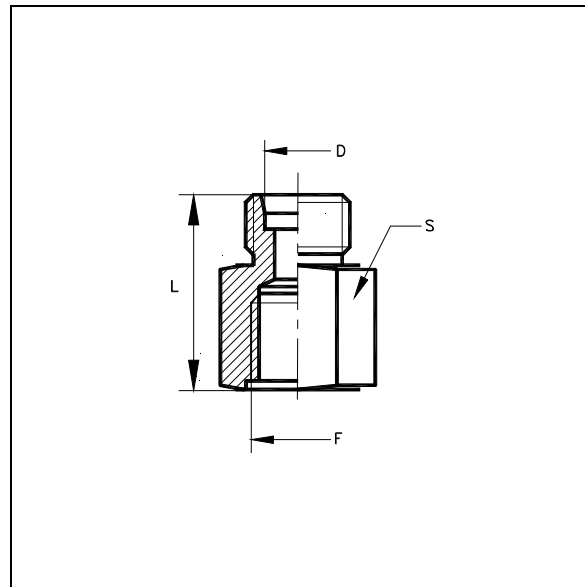
Leichte Baureihe  
Gewinde: Whitworth zylindrisch

**Unions femelles**

Série légère  
Filetage: whitworth cylindrique

**Uniones hembra**

Serie ligera  
Rosca: gas cilíndrica



Ø Tubo D	L	S	F		<b>TAA</b>
18	38	27	R 3/8"	T-GAI 18-LR 3/8"	15825011
	38	27	R 1/2"	T-GAI 18-LR 1/2"	15825111
	40	36	R 3/4"	T-GAI 18-LR 3/4"	15825211
22	41	32	R 1/2"	T-GAI 22-LR 1/2"	15830011
	43	36	R 3/4"	T-GAI 22-LR 3/4"	15830111
	44	41	R 1"	T-GAI 22-LR 1"	15830211
28	42	36	R 1/2"	T-GAI 28-LR 1/2"	15835011
	44	36	R 3/4"	T-GAI 28-LR 3/4"	15835111
	45	41	R 1"	T-GAI 28-LR 1"	15835211
35	45	46	R 3/4"	T-GAI 35-LR 3/4"	15840011
	52	46	R 1"	T-GAI 35-LR 1"	15840111
	56	55	R 1"1/4	T-GAI 35-LR 1"1/4	15840211
42	52	55	R 1"	T-GAI 42-LR 1"	15845011
	56	54	R 1"1/4	T-GAI 42-LR 1"1/4	15845111
	60	60	R 1"1/2	T-GAI 42-LR 1"1/2	15845211

**Raccordi diritti femmina**

Serie pesante  
 Filettatura: metrica cilindrica  
 Filettatura: gas cilindrica

**Female stud couplings**

Heavy range  
 Thread: metric parallel  
 Thread: B.S.P. parallel

**Gerade Aufschraubverschraubungen**

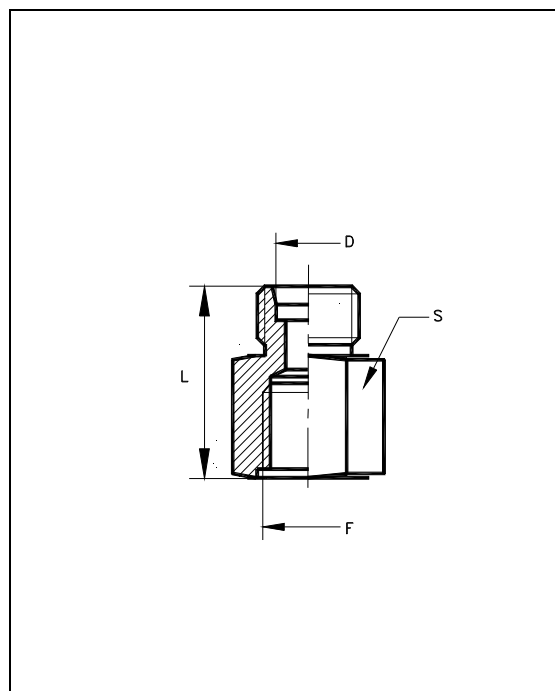
Schwere Baureihe  
 Gewinde: metrisch-fein zylindrisch  
 Gewinde: Whitworth zylindrisch

**Unions femelles**

Série lourde  
 Filetage: métrique cylindrique  
 Filetage: whitworth cylindrique

**Uniones hembra**

Serie pesada  
 Rosca: métrica cilíndrica  
 Rosca: gas cilíndrica



Ø Tubo D	L	S	F		<b>TAA</b>
6	33	17	M12x1.5	T-GAI 6 S-M 12x1.5	15950011
8	33	19	M14x1.5	T-GAI 8-S-M 14x1.5	15955011
10	33.5	22	M16x1.5	T-GAI 10-S-M 16x1.5	15960011
12	34.5	24	M18x1.5	T-GAI 12-S-M 18x1.5	15965011
14	39	27	M20x1.5	T-GAI 14-S-M 20x1.5	15970011
16	39	30	M22x1.5	T-GAI 16-S-M 22x1.5	15975011
20	45	36	M27x2	T-GAI 20-S-M 27x2	15980011
25	49	41	M33x2	T-GAI 25-S-M 33x2	15985011
30	55	55	M42x2	T-GAI 30-S-M 42x2	15990011
38	57	60	M48x2	T-GAI 38-S-M 48x2	15995011
6	33	19	R 1/4"	T-GAI 6-S-R 1/4"	15850011
8	33	19	R 1/4"	T-GAI 8-S-R 1/4"	15855011
10	33.5	24	R 3/8"	T-GAI 10-S-R 3/8"	15860011
12	34.5	24	R 3/8"	T-GAI 12-S-R 3/8"	15865011
14	40	27	R 1/2"	T-GAI 14-S-R 1/2"	15870011
16	41	27	R 1/2"	T-GAI 16-S-R 1/2"	15875011
20	45	36	R 3/4"	T-GAI 20-S-R 3/4"	15880011
25	49	41	R 1"	T-GAI 25-S-R 1"	15885011
30	56	55	R 1"1/4	T-GAI 30-S-R 1"1/4	15890011
38	57	60	R 1"1/2	T-GAI 38-S-R 1"1/2	15895011

## Istruzione di montaggio

1. Oleare i filetti d'estremità e le 2 O-ring.
2. Infilare la vite inferiore nel corpo del raccordo ed avvitare a mano.
3. Orientare il lato collegamento tubo e serrare la vite con la coppia di serraggio prescritto (vedere generalità, controbilanciando il corpo del raccordo)
4. Montare il tubo, controbilanciando il corpo del raccordo.
5. Mettere il tappo e serrare con la coppia prescritta (mass. \_ giro).
6. Si può smontare e rimontare il raccordo senza limitazioni.  
Verificare lo stato degli anelli torici e sostituire se necessario.

Attenzione : Un montaggio non conforme (lubrificazione o danneggiamento dell'O-ring superiore) riduce la pressione nominale e la durata della guarnizione con rischio di perdite.

## Assembly instructions

1. Oil the threads and the 2 O-ring.
2. Insert the bolt into the banjo and tighten by hand.
3. Set the tube connection to the desired direction and tighten the bolt with the recommended tightening torque (see Technical notes) holding the banjo firmly by means of a spanner.
4. Fix the tube holding the banjo firmly by means of a spanner.
5. Set the blanking plug and tighten with the recommended tightening torque (max. \_ of turn) holding the body of the coupling firmly by means of a spanner.
6. Repeated reassembly is possible. Check seals for possible damage and replace if necessary.

Attention : Different assembly (lubrication or damaging of the O-rings) reduces the nominal pressure rating and the life of the coupling, causing leakages.