

Raccordi d'estremità dritti

Serie leggera
 Filettatura: gas cilindrica
 Tenuta a forma E-DIN 3852, guarnizione di elastometro

Male stud couplings

Light range
 Stud thread: B.S.P. parallel
 Stud sealing form E-DIN, elastometer profiled ring

Gerade Einschraubverschraubungen

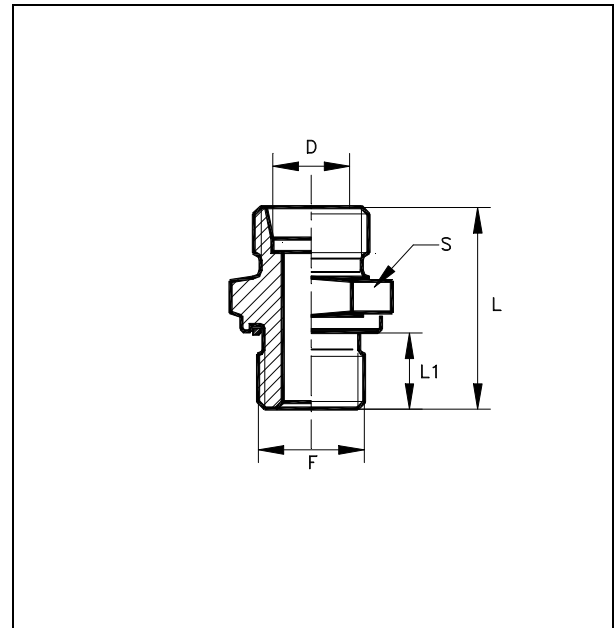
Leichte Baureihe
 Einschraubgewinde: Whitworth zylindrisch
 Abdichtart form E-DIN elastischer Profildichtring

Unions simple mâles

Série légère
 Filetage: Whitworth cylindrique
 Arête d'étanchéité forme E-DIN, joint en élaastomère

Racores rectos

Serie ligera
 Rosca: gas cilíndrica
 Estanquiedad forma E-DIN, junta en elastómero



Ø Tubo D	S	L	L1	F		TAA
6	14	23.5	8	R 1/8"	T-GE 6-LR 1/8"ED	10600081
	19	28	12	R 1/4"	T-GE 6-LR 1/4"ED	10600281
	22	30	12	R 3/8"	T-GE 6-LR 3/8"ED	10600481
8	17	24.5	8	R 1/8"	T-GE 8-LR 1/8"ED	10605181
	19	29	12	R 1/4"	T-GE 8-LR 1/4"ED	10605081
	22	30	12	R 3/8"	T-GE 8-LR 3/8"ED	10605281
	27	33	14	R 1/2"	T-GE 8-LR 1/2"ED	10605481
10	17	25	8	R 1/8"	T-GE 10-LR 1/8"ED	10610281
	19	30	12	R 1/4"	T-GE 10-LR 1/4"ED	10610081
	22	31.5	12	R 3/8"	T-GE 10-LR 3/8"ED	10610481
	27	34	14	R 1/2"	T-GE 10-LR 1/2"ED	10610681
12	19	12	31	R 1/4"	T-GE 12-LR 1/4"ED	10615281
	22	12	31	R 3/8"	T-GE 12-LR 3/8"ED	10615081
	27	14	34	R 1/2"	T-GE 12-LR 1/2"ED	10615481
	32	16	36	R 3/4"	T-GE 12-LR 3/4"ED	10615581
15	24	12	25	R 3/8"	T-GE 15-LR 3/8"ED	10620281
	27	14	35	R 1/2"	T-GE 15-LR 1/2"ED	10620081
	32	16	38	R 3/4"	T-GE 15-LR 3/4"ED	10620481

Raccordi d'estremità dritti

Serie leggera
 Filettatura: gas cilindrica
 Tenuta a forma E-DIN 3852, guarnizione di elastometro

Male stud couplings

Light range
 Stud thread: B.S.P. parallel
 Stud sealing form E-DIN, elastometer profiled ring

Gerade Einschraubverschraubungen

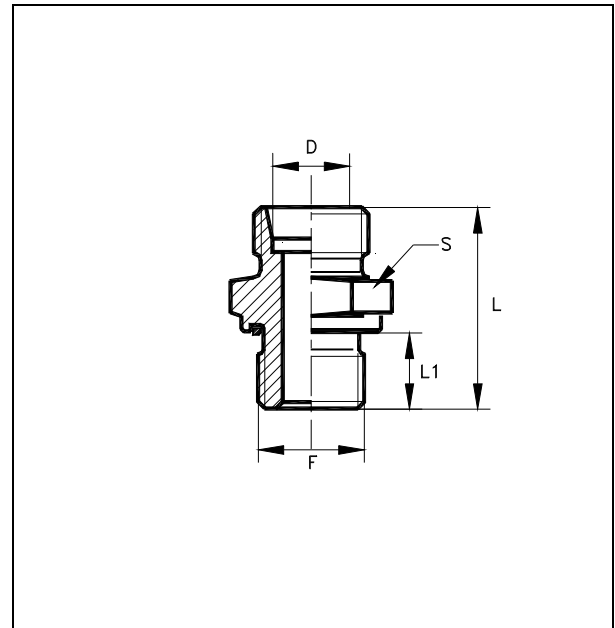
Leichte Baureihe
 Einschraubgewinde: Whitworth zylindrisch
 Abdichtart form E-DIN elastischer Profildichtring

Unions simple mâles

Série légère
 Filetage: Whitworth cylindrique
 Arête d'étanchéité forme E-DIN, joint en élastomère

Racores rectos

Serie ligera
 Rosca: gas cilíndrica
 Estanquedad forma E-DIN, junta en elastómero



Ø Tubo D	S	L	L1	F		TAA
16	27	35	14	R 1/2"	T-GE 16-LR 1/2"ED	10666081
18	27	33.5	14	R 3/8"	T-GE 18-LR 3/8"ED	10625281
	27	36	16	R 1/2"	T-GE 18-LR 1/2"ED	10625081
	32	38	18	R 3/4"	T-GE 18-LR 3/4"ED	10625481
22	32	38	14	R 1/2"	T-GE 22-LR 1/2"ED	10630281
	32	40	16	R 3/4"	T-GE 22-LR 3/4"ED	10630081
	41	42	18	R 1"	T-GE 22-LR 1"ED	10630481
28	41	41	16	R 3/4"	T-GE 28-LR 3/4"ED	10635281
	41	41	18	R 1"	T-GE 28-LR 1"ED	10635081
35	50	46	18	R 1"	T-GE 35-LR 1"ED	10640281
	50	46	20	R 1"1/4	T-GE 35-LR 1"1/4ED	10640081
42	55	52	22	R 1"1/4	T-GE 28-LR 3/4"ED	10645281
	55	52	22	R 1"1/2	T-GE 28-LR 1"ED	10645081

Raccordi d'estremità dritti

Serie pesante
 Filettatura: gas cilindrica
 Tenuta a forma E-DIN 3852, guarnizione di elastometro

Male stud couplings

Heavy range
 Stud thread: B.S.P. parallel
 Stud sealing form E-DIN, elastometer profiled ring

Gerade Einschraubverschraubungen

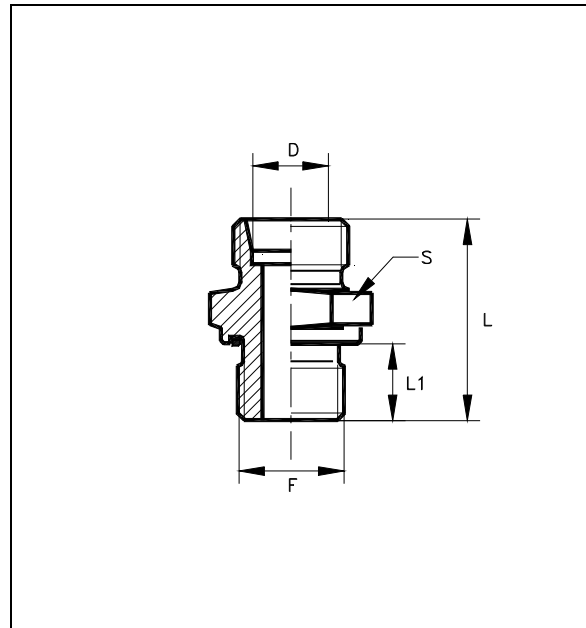
Schwere Baureihe
 Einschraubgewinde: Whitworth zylindrisch
 Abdichtart form E-DIN elastischer Profildichtring

Unions simple mâles

Série lourde
 Filetage: Whitworth cylindrique
 Arête d'étanchéité forme E-DIN, joint en élaastomère

Racores rectos

Serie pesada
 Rosca: gas cilíndrica
 Estanquedad forma E-DIN, junta en elastómero



Ø Tubo D	S	L	L1	F		TAA
6	17	32	12	R 1/8"	T-GE 6-SR 1/8"ED	10650681
	19	32	12	R 1/4"	T-GE 6-SR 1/4"ED	10650081
	22	32	12	R 3/8"	T-GE 6-SR 3/8"ED	10650281
	27	35	14	R 1/2"	T-GE 6-SR 1/2"ED	10650481
8	19	34	12	R 1/4"	T-GE 8-SR 1/4"ED	10655081
	22	34	12	R 3/8"	T-GE 8-SR 3/8"ED	10655281
	27	35	14	R 1/2"	T-GE 8-SR 1/2"ED	10655481
10	19	34	12	R 1/4"	T-GE 10-SR 1/4"ED	10660281
	22	34.5	12	R 3/8"	T-GE 10-SR 3/8"ED	10660081
	27	35	14	R 1/2"	T-GE 10-SR 1/2"ED	10660481
12	22	39	12	R 1/4"	T-GE 12-SR 1/4"ED	10665381
	22	36.5	12	R 3/8"	T-GE 12-SR 3/8"ED	10665081
	27	39	14	R 1/2"	T-GE 12-SR 1/2"ED	10665281
	32	41	14	R 3/4"	T-GE 12-SR 3/4"ED	10665481
14	24	39	12	R 3/8"	T-GE 14-SR 3/8"ED	10670281
	27	41	14	R 1/2"	T-GE 14-SR 1/2"ED	10670081

Raccordi d'estremità diritti

Serie pesante
 Filettatura: gas cilindrica
 Tenuta a forma E-DIN 3852, guarnizione di elastometro

Male stud couplings

Heavy range
 Stud thread: B.S.P. parallel
 Stud sealing form E-DIN, elastometer profiled ring

Gerade Einschraubverschraubungen

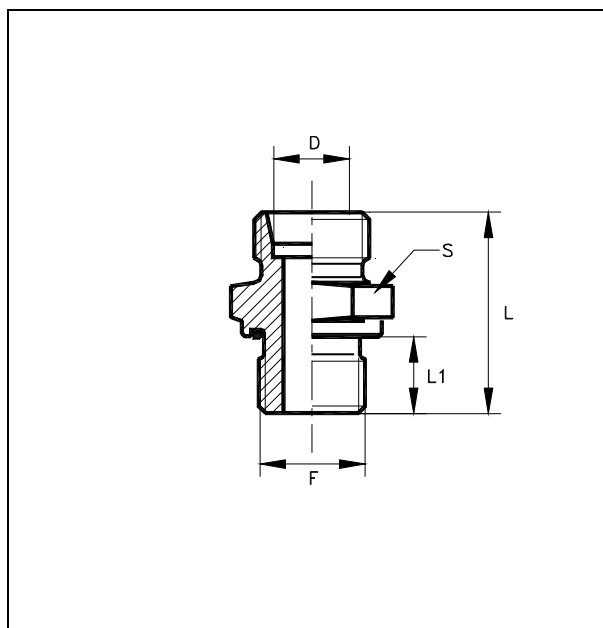
Schwere Baureihe
 Einschraubgewinde: Whitworth zylindrisch
 Abdichtart form E-DIN elastischer Profildichtring

Unions simple mâles

Série lourde
 Filetage: Whitworth cylindrique
 Arête d'étanchéité forme E-DIN, joint en élaastomère

Racores rectos

Serie pesada
 Rosca: gas cilíndrica
 Estanquiedad forma E-DIN, junta en elastómero



Ø Tubo D	S	L	L1	F		TAA
16	27	37	12	R 3/8"	T-GE 16-SR 3/8"ED	10675281
	27	41	14	R 1/2"	T-GE 16-SR 1/2"ED	10675081
	32	43	14	R 3/4"	T-GE 16-SR 3/4"ED	10675381
20	32	43	14	R 1/2"	T-GE 20-SR 1/2"ED	10680281
	32	46	16	R 3/4"	T-GE 20-SR 3/4"ED	10680081
	41	46	18	R 1"	T-GE 20-SR 1"ED	10680481
25	41	51	16	R 3/4"	T-GE 25-SR 3/4"ED	10685281
	41	53	18	R 1"	T-GE 25-SR 1"ED	10685081
	50	50	20	R 1"1/4	T-GE 25-SR 1"1/4ED	10685181
30	46	53	16	R 3/4"	T-GE 30-SR 3/4"ED	10690481
	46	52	18	R 1"	T-GE 30-SR 1"ED	10690281
	50	57	20	R 1"1/4	T-GE 30-SR 1"1/4ED	10690081
38	55	55	20	R 1"1/4	T-GE 38-SR 1"1/4ED	10695281
	55	64	22	R 1"1/2	T-GE 38-SR 1"1/2ED	10695081

Raccordi d'estremità dritti

Serie leggera
 Filettatura: metrica cilindrica
 Tenuta a forma E-DIN 3852, guarnizione di elastometro

Male stud couplings

Light range
 Stud thread: metric parallel
 Stud sealing form E-DIN, elastometer profiled ring

Gerade Einschraubverschraubungen

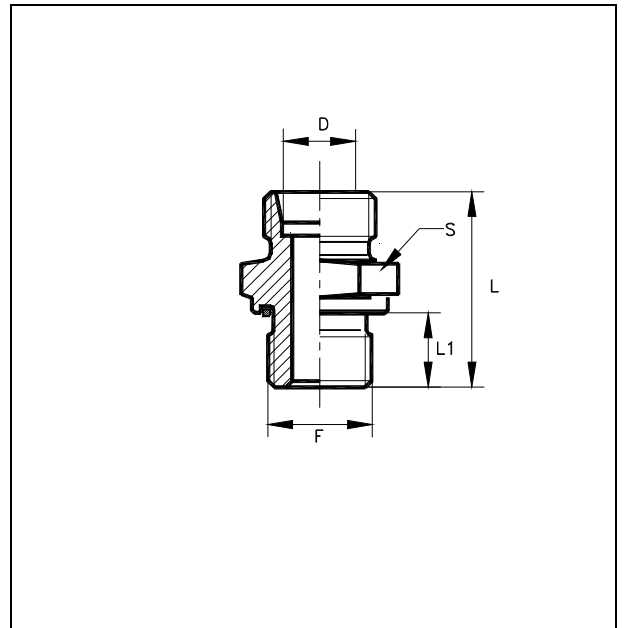
Leichte Baureihe
 Einschraubgewinde: metrisch-fein zylindrisch
 Abdichtart form E-DIN elastischer Profildichtring

Unions simple mâles

Série légère
 Filetage: métrique cylindrique
 Arête d'étanchéité forme E-DIN, joint en élastomère

Racores rectos

Serie ligera
 Rosca: metrica cilindrica
 Estanquiedad forma E-DIN, junta en elastómero



Ø Tubo D	S	L	L1	F		TAA
6	14	24	8	M10x1	T-GE 6-LM 10x1 ED	10700081
	14	24	8	M10x1.25	T-GE 6-LM 10x1.25 ED	10700181
	17	28	12	M12x1	T-GE 6-LM 12x1 ED	10700281
	17	28	12	M12x1.25	T-GE 6-LM 12x1.25 ED	10700381
	17	28	12	M12x1.5	T-GE 6-LM 12x1.5 ED	10700481
	19	28	12	M14x1.5	T-GE 6-LM 14x1.5 ED	10700581
	22	28	12	M16x1.5	T-GE 6-LM 16x1.5 ED	10700681
	24	28	12	M18x1.5	T-GE 6-LM 18x1.5 ED	10700781
	27	29	14	M20x1.5	T-GE 6-LM 20x1.5 ED	10700881
	27	30	14	M22x1.5	T-GE 6-LM 22x1.5 ED	10700981
8	14	26	8	M10x1	T-GE 8-LM 10x1 ED	10705081
	14	26	8	M10x1.25	T-GE 8-LM 10x1.25 ED	10705181
	17	30	12	M12x1	T-GE 8-LM 12x1 ED	10705281
	17	30	12	M12x1.25	T-GE 8-LM 12x1.25 ED	10705381
	17	30	12	M12x1.5	T-GE 8-LM 12x1.5 ED	10705481
	19	30	12	M14x1.5	T-GE 8-LM 14x1.5 ED	10705581
	22	30	12	M16x1.5	T-GE 8-LM 16x1.5 ED	10705681
	24	30	12	M18x1.5	T-GE 8-LM 18x1.5 ED	10705781
	27	31	14	M20x1.5	T-GE 8-LM 20x1.5 ED	10705881
	27	32	14	M22x1.5	T-GE 8-LM 22x1.5 ED	10705981
	32	34	16	M26x1.5	T-GE 8-LM 26x1.5 ED	10706081
	36	34	16	M30x1.5	T-GE 8-LM 30x1.5 ED	10706181

Raccordi d'estremità diritti

Serie leggera
 Filettatura: metrica cilindrica
 Tenuta a forma E-DIN 3852, guarnizione di elastometro

Male stud couplings

Light range
 Stud thread: metric parallel
 Stud sealing form E-DIN, elastometer profiled ring

Gerade Einschraubverschraubungen

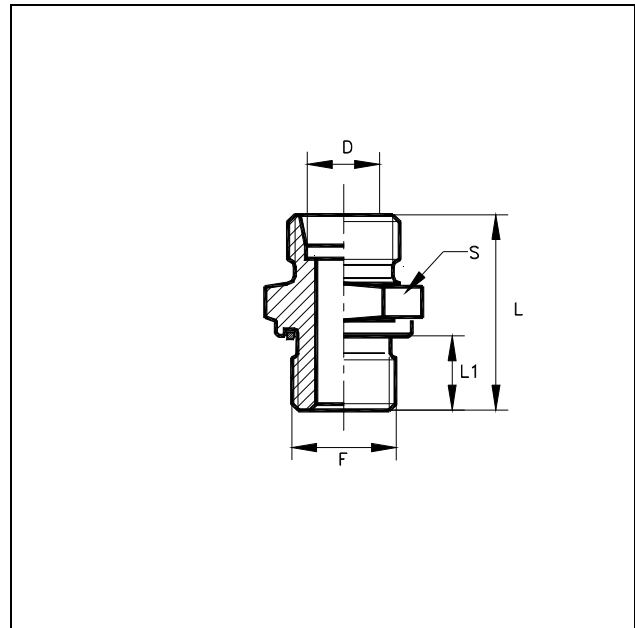
Leichte Baureihe
 Einschraubgewinde: metrisch-fein zylindrisch
 Abdichtart form E-DIN elastischer Profildichtring

Unions simple mâles

Série légère
 Filetage: métrique cylindrique
 Arête d'étanchéité forme E-DIN, joint en élastomère

Racores rectos

Serie ligera
 Rosca: metrica cilindrica
 Estanquiedad forma E-DIN, junta en elastómero



Ø Tubo D	S	L	L1	F		TAA
10	17	31	12	M 12x1.5	T-GE 10-LM 12x1.5 ED	10710081
	19	31	12	M 14x1.5	T-GE 10-LM 14x1.5 ED	10710281
	22	31	12	M 16x1.5	T-GE 10-LM 16x1.5 ED	10710381
	24	31	12	M 18x1.5	T-GE 10-LM 18x1.5 ED	10710481
	27	32	14	M 20x1.5	T-GE 10-LM 20x1.5 ED	10710581
	27	33	14	M 22x1.5	T-GE 10-LM 22x1.5 ED	10710681
	32	35	16	M 26x1.5	T-GE 10-LM 26x1.5 ED	10710781
	36	36	16	M 30x1.5	T-GE 10-LM 30x1.5 ED	10710881
12	19	32	12	M 12x1.5	T-GE 12-LM 12x1.5 ED	10715081
	19	32	12	M 14x1.5	T-GE 12-LM 14x1.5 ED	10715181
	22	32	12	M 16x1.5	T-GE 12-LM 16x1.5 ED	10715281
	24	32	12	M 18x1.5	T-GE 12-LM 18x1.5 ED	10715381
	27	33	14	M 20x1.5	T-GE 12-LM 20x1.5 ED	10715481
	27	34	14	M 22x1.5	T-GE 12-LM 22x1.5 ED	10715581
	32	36	16	M 26x1.5	T-GE 12-LM 26x1.5 ED	10715681
	36	37	16	M 30x1.5	T-GE 12-LM 30x1.5 ED	10715781

Raccordi d'estremità diritti

Serie leggera
 Filettatura: metrica cilindrica
 Tenuta a forma E-DIN 3852, guarnizione di elastometro

Male stud couplings

Light range
 Stud thread: metric parallel
 Stud sealing form E-DIN, elastometer profiled ring

Gerade Einschraubverschraubungen

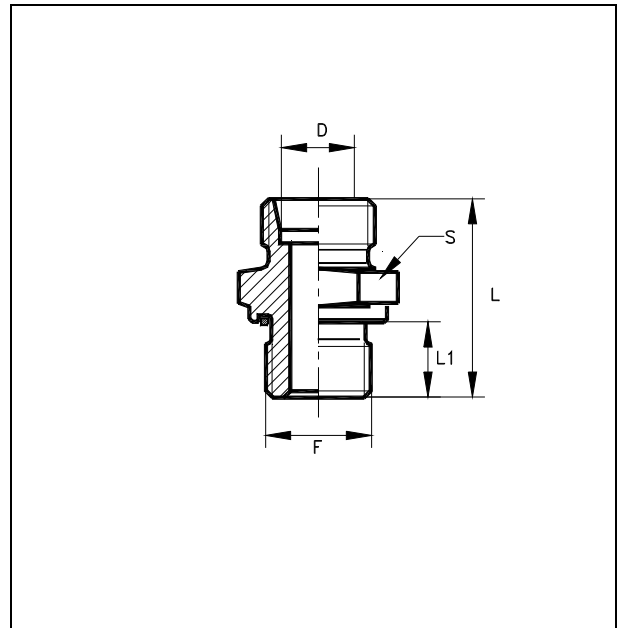
Leichte Baureihe
 Einschraubgewinde: metrisch-fein zylindrisch
 Abdichtart form E-DIN elastischer Profildichtring

Unions simple mâles

Série légère
 Filetage : métrique cylindrique
 Arête d'étanchéité forme E-DIN, joint en élastomère

Racores rectos

Serie ligera
 Rosca: metrica cilindrica
 Estanquiedad forma E-DIN, junta en elastómero



Ø Tubo D	S	L	L1	F		TAA
15	22	34	12	M12x1.5	T-GE 15-LM 12x1.5 ED	10720081
	22	34	12	M14x1.5	T-GE 15-LM 14x1.5 ED	10720181
	22	34	12	M16x1.5	T-GE 15-LM 16x1.5 ED	10720281
	24	34	12	M18x1.5	T-GE 15-LM 18x1.5 ED	10720381
	27	35	14	M20x1.5	T-GE 15-LM 20x1.5 ED	10720481
	27	36	14	M22x1.5	T-GE 15-LM 22x1.5 ED	10720581
	32	38	16	M26x1.5	T-GE 15-LM 26x1.5 ED	10720681
	36	39	16	M30x1.5	T-GE 15-LM 30x1.5 ED	10720781
16	22	34	12	M16x1.5	T-GE 16-LM 16x1.5 ED	10766081
	24	34	12	M18x1.5	T-GE 16-LM 18x1.5 ED	10766181
	27	35	14	M20x1.5	T-GE 16-LM 20x1.5 ED	10766281
	27	36	14	M22x1.5	T-GE 16-LM 22x1.5 ED	10766381
	32	38	16	M26x1.5	T-GE 16-LM 26x1.5 ED	10766481
	36	39	16	M30x1.5	T-GE 16-LM 30x1.5 ED	10766581

Raccordi d'estremità dritti

Serie leggera
 Filettatura: metrica cilindrica
 Tenuta a forma E-DIN 3852, guarnizione di elastometro

Male stud couplings

Light range
 Stud thread: metric parallel
 Stud sealing form E-DIN, elastometer profiled ring

Gerade Einschraubverschraubungen

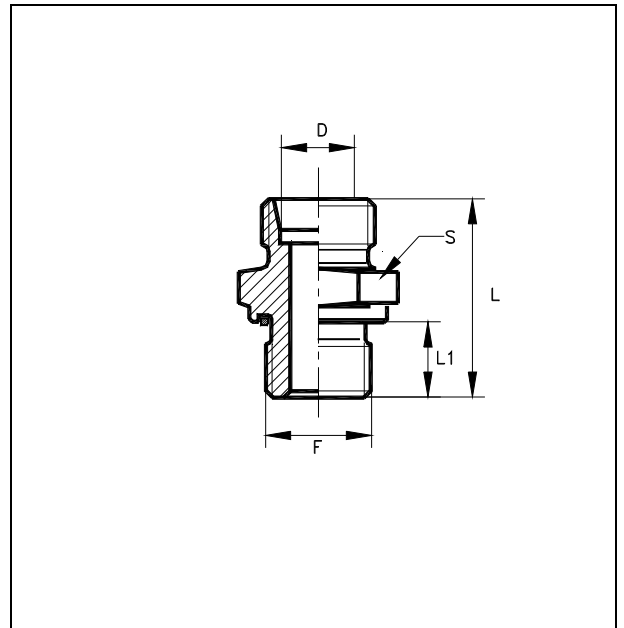
Leichte Baureihe
 Einschraubgewinde: metrisch-fein zylindrisch
 Abdichtart form E-DIN elastischer Profildichtring

Unions simple mâles

Série légère
 Filetage: métrique cylindrique
 Arête d'étanchéité forme E-DIN, joint en élastomère

Racores rectos

Serie ligera
 Rosca: metrica cilindrica
 Estanquiedad forma E-DIN, junta en elastómero



Ø Tubo D	S	L	L1	F		TAA
18	27	336	14	M22x1.5	T-GE 18-LM 22x1.5 ED	10725081
	32	37	16	M26x1.5	T-GE 18-LM 26x1.5 ED	10725181
	36	38	16	M30x1.5	T-GE 18-LM 30x1.5 ED	10725281
22	30	38	14	M22x1.5	T-GE 22-LM 22x1.5 ED	10730081
	32	39	16	M26x1.5	T-GE 22-LM 26x1.5 ED	10730181
	36	40	16	M30x1.5	T-GE 22-LM 30x1.5 ED	10730281
28	36	44	16	M30x1.5	T-GE 28-LM 30x1.5 ED	10735081
	41	45	18	M33x2	T-GE 28-LM 33x2 ED	10735181
35	50	49	20	M42x2	T-GE 35-LM 42x2 ED	10740081
	55	51	22	M48x2	T-GE 35-LM 48x2 ED	10740181
42	55	53	22	M48x2	T-GE 42-LM 48x2 ED	10745081

Raccordi d'estremità diritti

Serie pesante
 Filettatura: metrica cilindrica
 Tenuta a forma E-DIN 3852, guarnizione di elastometro

Male stud couplings

Heavy range
 Stud thread: metric parallel
 Stud sealing form E-DIN, elastometer profiled ring

Gerade Einschraubverschraubungen

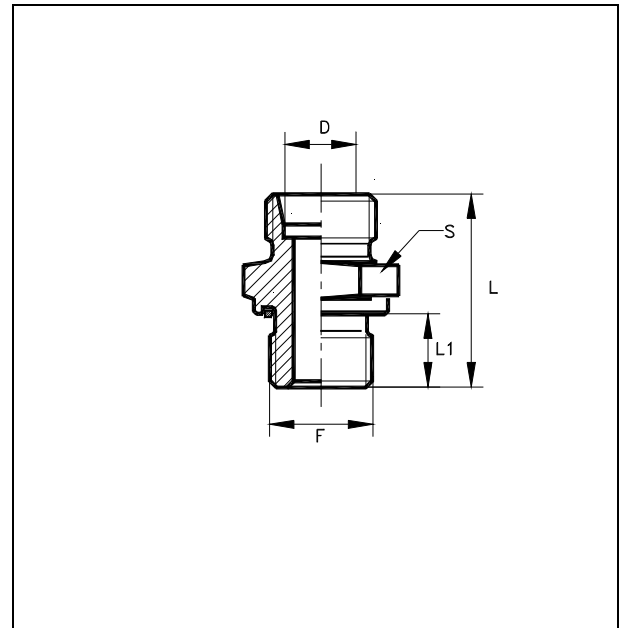
Schwere Baureihe
 Einschraubgewinde: metrisch-fein zylindrisch
 Abdichtart form E-DIN elastischer Profildichtring

Unions simple mâles

Série lourde
 Filetage: métrique cylindrique
 Arête d'étanchéité forme E-DIN, joint en élastomère

Racores rectos

Serie pesada
 Rosca: metrica cilindrica
 Estanquiedad forma E-DIN, junta en elastómero



Ø Tubo D	S	L	L1	F		TAA
6	17	32	12	M12x1.5	T-GE 6-SM 12x1.5 ED	10750081
	19	33	12	M14x1.5	T-GE 6-SM 14x1.5 ED	10750281
	22	33	12	M16x1.5	T-GE 6-SM 16x1.5 ED	10750481
8	19	34	12	M14x1.5	T-GE 8-SM 14x1.5 ED	10755081
	22	34	12	M16x1.5	T-GE 8-SM 16x1.5 ED	10755281
	27	37	14	M22x1.5	T-GE 8-SM 22x1.5 ED	10755481
10	19	35.5	12	M14x1.5	T-GE 10-SM 14x1.5 ED	10760081
	22	35.5	12	M16x1.5	T-GE 10-SM 16x1.5 ED	10760281
	24	36.5	12	M18x1.5	T-GE 10-SM 18x1.5 ED	10760381
	27	37.5	14	M22x1.5	T-GE 10-SM 22x1.5 ED	10760481
12	22	35.5	12	M16x1.5	T-GE 12-SM 16x1.5 ED	10765081
	24	35.5	12	M18x1.5	T-GE 12-SM 18x1.5 ED	10765281
	27	37.5	14	M22x1.5	T-GE 12-SM 22x1.5 ED	10765481
14	24	38	12	M18x1.5	T-GE 14-SM 18x1.5 ED	10770081
	27	40	12	M20x1.5	T-GE 14-SM 20x1.5 ED	10770281
	27	40	14	M22x1.5	T-GE 14-SM 22x1.5 ED	10770481

Raccordi d'estremità diritti

Serie pesante
 Filettatura: metrica cilindrica
 Tenuta a forma E-DIN 3852, guarnizione di elastomero

Male stud couplings

Heavy range
 Stud thread: metric parallel
 Stud sealing form E-DIN, elastometer profiled ring

Gerade Einschraubverschraubungen

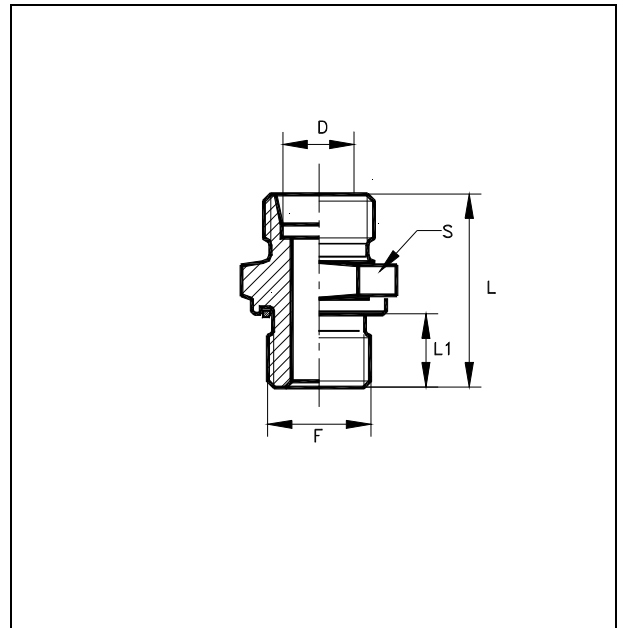
Schwere Baureihe
 Einschraubgewinde: metrisch-fein zylindrisch
 Abdichtart form E-DIN elastischer Profildichtring

Unions simple mâles

Série lourde
 Filetage: métrique cylindrique
 Arête d'étanchéité forme E-DIN, joint en élastomère

Racores rectos

Serie pesada
 Rosca: metrica cilindrica
 Estanquiedad forma E-DIN junta en elastómero



Ø Tubo D	S	L	L1	F		TAA
16	27	38	13	M18x1.5	T-GE 16-SM 18x1.5 ED	10775081
	27	40.5	14	M20x1.5	T-GE 16-SM 20x1.5 ED	10775181
	27	40.5	14	M22x1.5	T-GE 16-SM 22x1.5 ED	10775281
	32	42.5	14	M27x2	T-GE 16-SM 27x2 ED	10775481
20	30	45.5	14	M22x1.5	T-GE 20-SM 22x1.5 ED	10780081
	32	47.5	16	M27x2	T-GE 20-SM 27x2 ED	10780281
	36	48.5	16	M30x2	T-GE 20-SM 30x2 ED	10780481
25	36	51	16	M27x2	T-GE 25-SM 27x2 ED	10785081
	41	53	18	M33x2	T-GE 25-SM 33x2 ED	10785281
30	46	54.5	18	M33x2	T-GE 30-SM 33x2 ED	10790081
	50	56.5	20	M42x2	T-GE 30-SM 42x2 ED	10790281
38	55	61	20	M42x2	T-GE 38-SM 42x2 ED	10795081
	55	63	22	M48x2	T-GE 38-SM 48x2 ED	10795281

Istruzione di montaggio

1. Oleare i filetti d'estremità e le 2 O-ring.
2. Infilare la vite inferiore nel corpo del raccordo ed avvitare a mano.
3. Orientare il lato collegamento tubo e serrare la vite con la coppia di serraggio prescritto (vedere generalità, controbilanciando il corpo del raccordo)
4. Montare il tubo, controbilanciando il corpo del raccordo.
5. Mettere il tappo e serrare con la coppia prescritta (mass. _ giro).
6. Si può smontare e rimontare il raccordo senza limitazioni.
Verificare lo stato degli anelli torici e sostituire se necessario.

Attenzione : Un montaggio non conforme (lubrificazione o danneggiamento dell'O-ring superiore) riduce la pressione nominale e la durata della guarnizione con rischio di perdite.

Assembly instructions

1. Oil the threads and the 2 O-ring.
2. Insert the bolt into the banjo and tighten by hand.
3. Set the tube connection to the desired direction and tighten the bolt with the recommended tightening torque (see Technical notes) holding the banjo firmly by means of a spanner.
4. Fix the tube holding the banjo firmly by means of a spanner.
5. Set the blanking plug and tighten with the recommended tightening torque (max. _ of turn) holding the body of the coupling firmly by means of a spanner.
6. Repeated reassembly is possible. Check seals for possible damage and replace if necessary.

Attention : Different assembly (lubrification or damaging of the O-rings) reduces the nominal pressure rating and the life of the coupling, causing leakages.