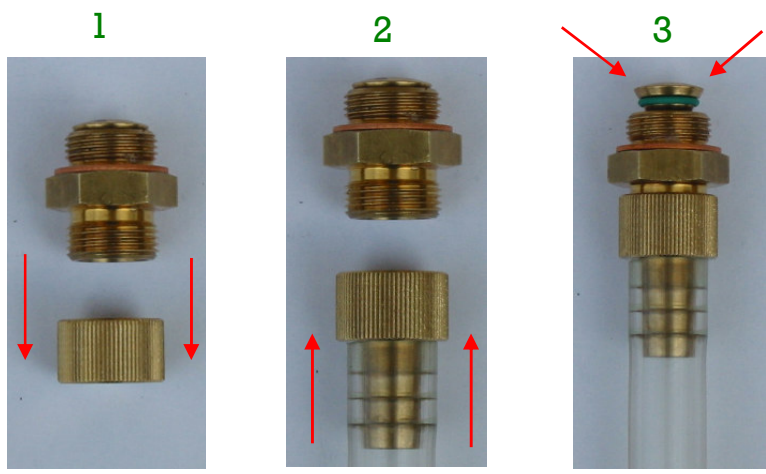


## ECOLOGICAL PLUG

## KIT FOR CHANGE OF OIL

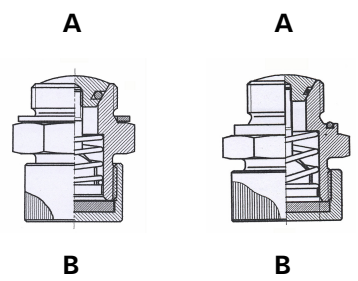
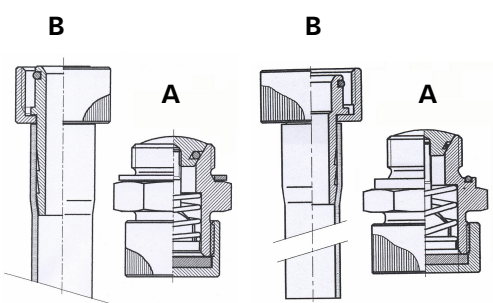


The product described in this page is the synthesis of the research to improve the evacuation-system of the oils from the reservoirs of use, with the objective of not to damage the environment. The use of the specific valve, in substitution of the traditional plug allows to evacuate the oil fastly and efficiently. The operation can be effected without having particular means available ; entirely a container where let the oil flow is necessary.



### HOW TO OPERATE

Unscrew the lockring protection valve (1) and screw fitting -pipe (2) : during the screwing the oil flows into the container (3).



A	B	WHIT METALLIC WASHER	WHIT ELASTOMER GASKET
18X1.5	22X1.5	9812010310	9812010380
22X1.5	22X1.5	9812030310	9812030380
22X1.5	26X1.5	9812030710	9812030780
22X1.75	22X1.5	9812040310	9812040380
24X1.5	26X1.5	9812050710	9812050780
24X2	22X1.5	9812060310	9812060380
26X1.5	26X1.5	9812070710	9812070780
30X1.5	26X1.5	9812110710	9812110780
30X2	26X1.5	9812120710	9812120780
32X1.5	26X1.5	9812130710	9812130780

A	B	WHIT METALLIC WASHER	WHIT ELASTOMER GASKET
18X1.5	22X1.5	9812010311	9812010381
22X1.5	22X1.5	9812030311	9812030381
22X1.5	26X1.5	9812030711	9812030781
22X1.75	22X1.5	9812040311	9812040381
24X1.5	26X1.5	9812050711	9812050781
24X2	22X1.5	9812060311	9812060381
26X1.5	26X1.5	9812070711	9812070781
30X1.5	26X1.5	9812110711	9812110781
30X2	26X1.5	9812120711	9812120781
32X1.5	26X1.5	9812130711	9812130781